

1 2 3 4 5 6 7 8

A

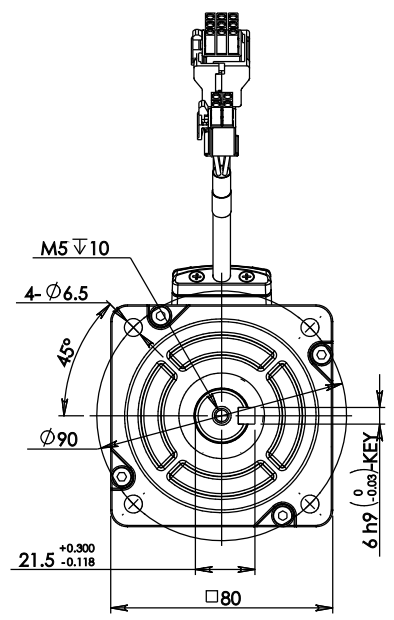
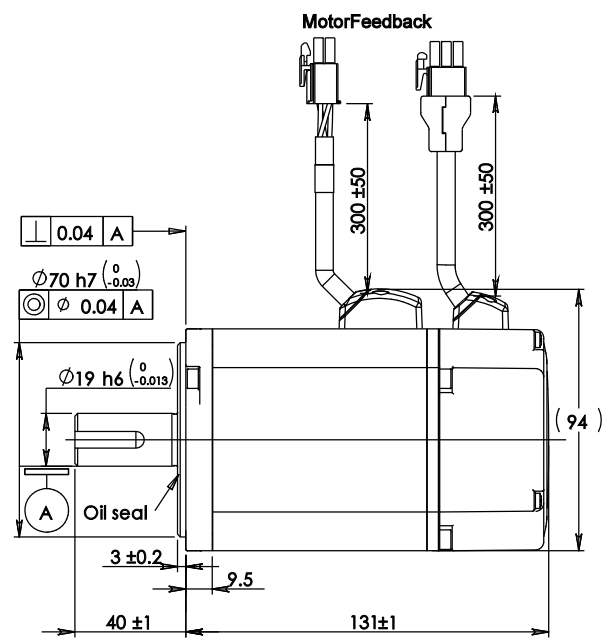
B

C

D

E

F



		Unit: mm		Approve		MOONS'		Servo Motor	
		FIRST ANGLE METHOD		Standard				SHANGHAI AMP & MOONS' AUTOMATION CO.,LTD	
		Tolerances for linear and angular dimensions without individual tolerance indications GB/T 1804-m eqv ISO 2768-1 : m		Technology		This document is released for information only. Its reproduction in whole or in part or its dissemination to third parties is prohibited. All trademarks and registered trademarks appearing on this document are the property of their respective owners.			
		Geometrical tolerance for features without individual tolerance indications GB/T 1184-K eqv ISO 2768-2 : K		Check					
Original revision				Design					
REV.	REVISION RECORD	DATE	UNLESS OTHERWISE SPECIFIED	NAMES	SIGNATURE	DATE	750W SM0803AE4-KCD-NNV	SCALE 1:1	Sheet 1 of 1

1 2 3 4 5 6 7 8